



The Value OF Quality

A4 Pieces No.116, 10th of Ramadan, Al-Sharqiyah Governorate-Egypt

+02554472725 +20 115198818 info@seropcomp.com

## OUR STRATEGY

### SEROPCOMP'S CORPORATE VALUES

#### TEAM SPIRIT AND WORKING FOR COMMON GOALS

SEROPCOMP is not merely a company indeed, its strength comes from a group of motivated individuals who share common corporate values and contribute to the Group's growth.

The basis of our approach is team spirit and the ability to work towards achieving common goals, with a cooperative attitude both inside and outside the company. These common values, together with professionalism and innovation naturally lead to customer satisfaction.

Our management team strives to assure personnel growth by giving staff the opportunity to work with leading international companies in order to develop their professional and personal skills and expertise. Each day, we work with passion and enthusiasm while maintaining an ethically correct conduct with customers and suppliers and in full respect of people and the environment around us.

All SEROPCOMP staff share these core values, which contribute to promoting a pleasant and positive corporate environment.

## OUR PRODUCTS

Seropcomp's Vessels Division designs and manufactures a wide range of pressure vessels for compressed air suitable for stand-alone use or integrated into systems.

All pressure vessels are tested according to the target market.

In particular, we offer the complete range of vertical compressed air receivers and horizontal compressed air receivers from 24 litres to 10,000 litres, made of carbon steel.

The range includes:

- \*Small-sized vertical and horizontal air vessels
- \*High pressure vertical air vessels
- \*Vertical vacuum vessels
- \*Vertical water tanks for pressurized autoclaves
- \*Custom compressed air receivers
- \*Vertical air vessels
- \*Vertical over-size air vessels
- \*Painted horizontal air vessels with legs
- \*Vertical and horizontal stainless steel vessels

## SEROPCOMP ENGINEERING DEPARTMENT

THE ENGINEERING DEPARTMENT OF SEROPCOMP'S SPE DIVISION AND THE DESIGN AND PRODUCTION OF SPECIAL PRESSURE VESSELS.

Our engineering department designs and develops pressure vessels and adapts them according to current international regulations to maintain the same high quality standards throughout all our facilities worldwide.

## OUR CERTIFICATE



## OUR CLIENTS



# SEROPCOMP

## VERTICAL AIR VESSELS

 Electrostatic Painting

Material  
Carbon Steel

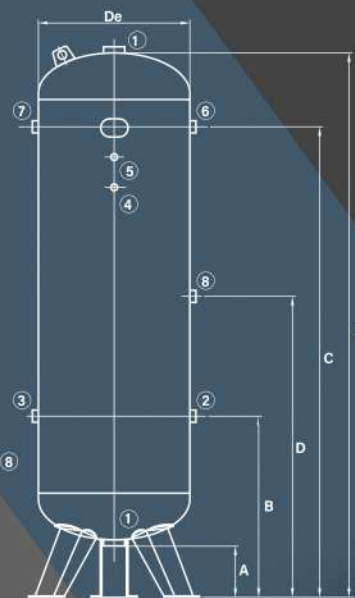
Fluid content  
Compressed Air

Treatment

- RAL 5017
- RAL ST3000
- RAL ST1021
- RAL 9005
- RAL 7012



The Value OF Quality



| Code       | Capacity | Work pressure | De   | A   | B   | C    | L    | 1    | 2    | 3    | 4    | 5    | 6    | 7    | weight |
|------------|----------|---------------|------|-----|-----|------|------|------|------|------|------|------|------|------|--------|
|            |          | bar           | mm   | mm  | mm  | mm   | mm   | inch | inch | inch | inch | inch | inch | inch | kg     |
| SCVP301004 | 100L     | 11            | 370  | 180 | 350 | 1000 | 1210 | 1/2" | 1/2" | 1/2" | -    | 1/4" | 1/2" | 1/2" | 35     |
| SCVP301005 | 200L     | 11            | 450  | 175 | 400 | 1250 | 1540 | 1/2" | 1"   | 1"   | -    | 1/4" | 1"   | 1"   | 53     |
| SCVP301006 | 270L     | 11            | 600  | 155 | 470 | 920  | 1300 | 1/2" | 1"   | 1"   | -    | 1/4" | 1"   | 1"   | 68     |
| SCVP301007 | 300L     | 11            | 500  | 170 | 620 | 1350 | 1740 | 1/2" | 1"   | 1"   | -    | 1/4" | 1"   | 1"   | 72     |
| SCVP301008 | 500L     | 11            | 600  | 155 | 785 | 1670 | 2050 | 1/2" | 1"   | 1"   | -    | 1/4" | 1"   | 1"   | 125    |
| SCVP301010 | 1000L    | 11            | 800  | 160 | 700 | 1850 | 2350 | 1"   | 2"   | 2"   | -    | 1/4" | 2"   | 2"   | 235    |
| SCVP301012 | 2000L    | 11            | 1000 | 200 | 770 | 2280 | 2850 | 2"   | 3"   | 3"   | 1/2" | 1/2" | 3"   | 3"   | 410    |
| SCVP301013 | 3000L    | 11            | 1200 | 200 | 772 | 2300 | 2900 | 2"   | 3"   | 3"   | 1/2" | 1/2" | 3"   | 3"   | 720    |

STARTING FROM 100L TO 3000L

 Operating pressure  
11 bar

 Tested pressure  
16 bar

**5 YEARS WARRANTY**



seropcomp.com

# SEROPCOMP

## VERTICAL AIR VESSELS

 Epoxy Painting & Galvanized

Material  
Carbon Steel

Fluid content  
Compressed Air



The Value OF Quality



| code       | Capacity | Work pressure | De   | A   | B    | C    | L    | 1    | 2,3  | 4,5  | 6,7  |
|------------|----------|---------------|------|-----|------|------|------|------|------|------|------|
|            |          | bar           | mm   | mm  | mm   | mm   | mm   | inch | inch | inch | inch |
| SCVP301014 | 4000 L   | 11            | 1450 | 300 | 1160 | 2320 | 3000 | 2"   | 3"   | 1/2" | 3"   |
| SCVP301016 | 5000 L   | 11            | 1650 | 320 | 1220 | 2400 | 3100 | 2"   | 3"   | 1/2" | 3"   |
| SCVP301017 | 6000 L   | 11            | 1450 | 300 | 1160 | 3220 | 4000 | 2"   | 3"   | 1/2" | 3"   |
| SCVP301019 | 8000 L   | 11            | 1650 | 320 | 1220 | 3500 | 4250 | 2"   | 3"   | 1/2" | 3"   |
| SCVP301020 | 10000 L  | 11            | 1650 | 320 | 1220 | 4300 | 5100 | 2"   | 3"   | 1/2" | 3"   |

\* 2 Inspection gates

\* Up on Request :- Man Hole - Horizontal model.

STARTING FROM 4000L TO 10000L

 Operating pressure 11 bar  Tested pressure 16 bar

**5 YEARS WARRANTY**



seropcomp.com

# SEROPCOMP

## VERTICAL AIR VESSELS

 Galvanized

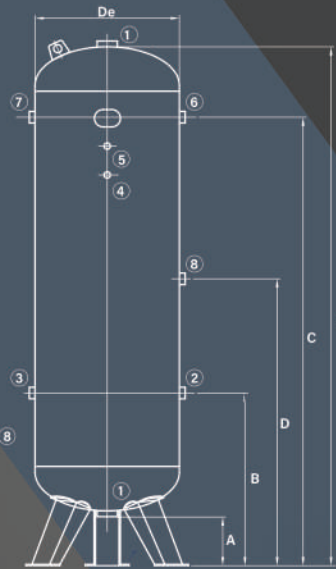
**Material**  
Galvanizable Carbon Steel

**Fluid content**  
Compressed Air

**Treatment**  
Internal and External Treatment  
Hot Dip Galvanizing



The Value OF Quality



| Code       | Capacity | Work pressure | De   | A   | B   | C    | L    | 1    | 2    | 3    | 4    | 5    | 6    | 7    | weight |
|------------|----------|---------------|------|-----|-----|------|------|------|------|------|------|------|------|------|--------|
|            | -        | bar           | mm   | mm  | mm  | mm   | mm   | inch | inch | inch | inch | inch | inch | inch | kg     |
| SCVG301004 | 100L     | 11            | 370  | 180 | 350 | 1000 | 1210 | 2"   | 1/4" | -    | -    | -    | 1/4" | -    | 38     |
| SCVG301005 | 200L     | 11            | 450  | 175 | 400 | 1250 | 1540 | 2"   | 1"   | 1"   | -    | 1/4" | 1"   | 1"   | 65     |
| SCVG301006 | 270L     | 11            | 600  | 155 | 470 | 920  | 1300 | 2"   | 1"   | 1"   | -    | 1/4" | 1"   | 1"   | 70     |
| SCVG301007 | 300L     | 11            | 500  | 170 | 620 | 1350 | 1740 | 2"   | 1"   | 1"   | -    | 1/4" | 1"   | 1"   | 75     |
| SCVG301008 | 500L     | 11            | 600  | 155 | 785 | 1670 | 2050 | 2"   | 1"   | 1"   | 1/4" | 1/4" | 1"   | 1"   | 130    |
| SCVG301009 | 900L     | 11            | 800  | 160 | 700 | 1750 | 2150 | 2"   | 2"   | 2"   | 1/2" | 1/4" | 2"   | 2"   | 225    |
| SCVG301010 | 1000L    | 11            | 800  | 160 | 700 | 1850 | 2350 | 2"   | 2"   | 2"   | 1/2" | 1/4" | 2"   | 2"   | 246    |
| SCVG301012 | 2000L    | 11            | 1000 | 200 | 770 | 2280 | 2850 | 2"   | 3"   | 3"   | 1/2" | 1/2" | 3"   | 3"   | 416    |
| SCVG301013 | 3000L    | 11            | 1200 | 200 | 772 | 2300 | 2900 | 2"   | 3"   | 3"   | 1/2" | 1/2" | 3"   | 3"   | 728    |

STARTING FROM 100L TO 3000L

 Operating pressure  
11 bar

 Tested pressure  
16 bar

**5 YEARS WARRANTY**



seropcomp.com

# SEROPCOMP 16 BAR

## VERTICAL AIR VESSELS

 Electrostatic Painting

Material  
Carbon Steel

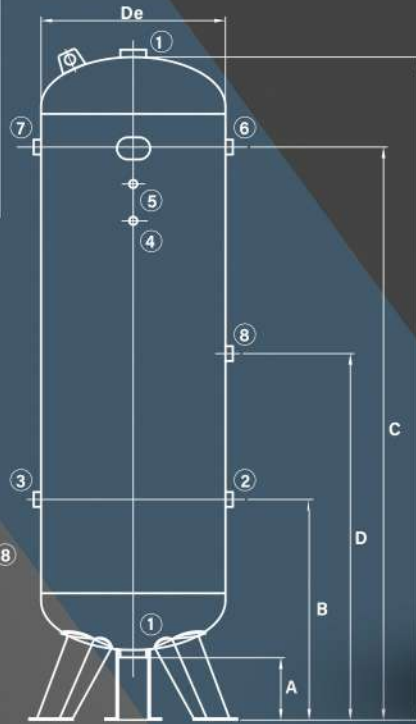
Fluid content  
Compressed Air

### Treatment

- RAL 5017
- RAL ST3000
- RAL ST1021
- RAL 9005
- RAL 7012



The Value OF Quality



| code       | Capacity | Work pressure | De   | A   | B   | C    | L    | 1    | 2    | 3    | 4    | 5    | 6    | 7    | Weight |
|------------|----------|---------------|------|-----|-----|------|------|------|------|------|------|------|------|------|--------|
|            | -        | bar           | mm   | mm  | mm  | mm   | mm   | inch | inch | inch | inch | inch | inch | inch | kg     |
| SCVP301008 | 500L     | 16            | 600  | 155 | 785 | 1670 | 2050 | 3/4" | 1/4" | -    | 1/4" | 1/4" | 1"   | 1"   | 175    |
| SCVP301010 | 1000L    | 16            | 800  | 160 | 700 | 1850 | 2350 | 1"   | 2"   | 2"   | 1/2" | 1/4" | 2"   | 2"   | 285    |
| SCVP301012 | 2000L    | 16            | 1000 | 200 | 770 | 2280 | 2850 | 2"   | 3"   | 3"   | 1/2" | 1/2" | 3"   | 3"   | 575    |
| SCVP301013 | 3000L    | 16            | 1200 | 200 | 772 | 2300 | 2900 | 2"   | 3"   | 3"   | 1/2" | 1/2" | 3"   | 3"   | 895    |

STARTING FROM 500L TO 3000L

 Operating pressure  
16 bar

 Tested pressure  
24 bar

**5 YEARS WARRANTY**



seropcomp.com

# SEROPCOMP 42 BAR

## VERTICAL AIR VESSELS

 Electrostatic Painting

Material  
Carbon Steel

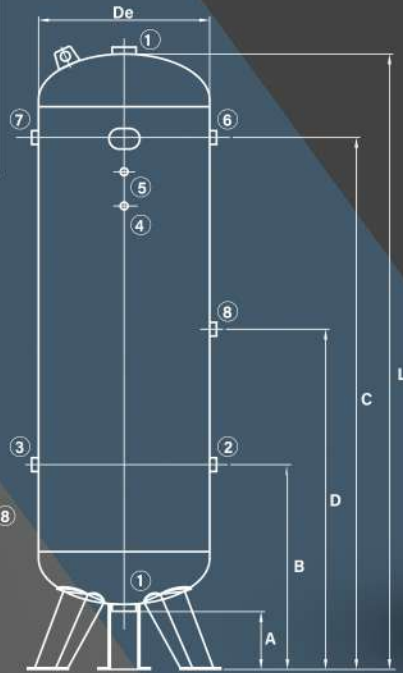
Fluid content  
Compressed Air

### Treatment

- RAL 5017
- RAL ST3000
- RAL ST1021
- RAL 9005
- RAL 7012



The Value OF Quality



| code       | Capacity | Work pressure | De   | A   | B   | C    | L    | 1    | 2    | 3    | 4    | 5    | 6    | 7    | Weight |
|------------|----------|---------------|------|-----|-----|------|------|------|------|------|------|------|------|------|--------|
|            | -        | bar           | mm   | mm  | mm  | mm   | mm   | inch | inch | inch | inch | inch | inch | inch | kg     |
| SCVP301008 | 500L     | 42            | 600  | 155 | 785 | 1670 | 2050 | 1/2" | 1"   | 1    | -    | 1/2" | 1"   | 1"   | 285    |
| SCVP301010 | 1000L    | 42            | 800  | 160 | 700 | 1850 | 2350 | 1"   | 2"   | 2"   | -    | 1/2" | 2"   | 2"   | 500    |
| SCVP301012 | 2000L    | 42            | 1000 | 200 | 770 | 2280 | 2850 | 2"   | 3"   | 3"   | 1/2" | 1/2" | 3"   | 3"   | 1030   |
| SCVP301013 | 3000L    | 42            | 1200 | 200 | 772 | 2300 | 2900 | 2"   | 3"   | 3"   | 1/2" | 1/2" | 3"   | 3"   | 1664   |

STARTING FROM 500L TO 3000L

 Operating pressure  
42 bar

 Tested pressure  
63 bar

**5 YEARS WARRANTY**



seropcomp.com

# SEROPCOMP

## HORIZONTAL AIR VESSELS

 Electrostatic Painting

Material  
Carbon Steel

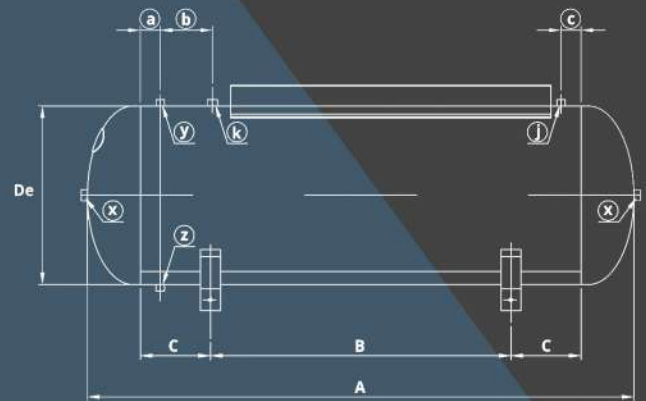
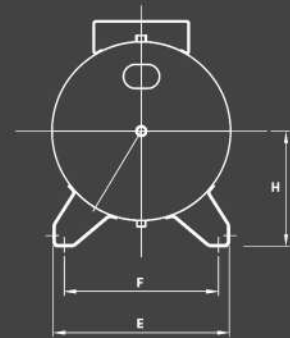
Fluid content  
Compressed Air

Treatment

- RAL 5017
- RAL ST3000
- RAL ST1021
- RAL 9005
- RAL 7012



The Value OF Quality



| Code        | Capacity | Work Pressure | De  | A    | B    | C   | E   | F   | H   | a   | b   | c   | x    | y    | k    | j    | z    | Dimension Base |     | Weight |
|-------------|----------|---------------|-----|------|------|-----|-----|-----|-----|-----|-----|-----|------|------|------|------|------|----------------|-----|--------|
|             |          |               |     |      |      |     |     |     |     |     |     |     |      |      |      |      |      | mm             | mm  |        |
| SCHP302003  | 50L      | 11            | 300 | 800  | 400  | 100 | 250 | -   | 220 | 50  | 70  | -   | 1/2" | 1/4" | 1/2" | -    | 1/4" | 210            | 450 | 23     |
| SCHP 302004 | 100L     | 11            | 370 | 1050 | 550  | 125 | 320 | -   | 310 | 50  | 80  | 50  | 1/2" | 1/4" | 1/2" | 3/8" | 1/4" | 210            | 485 | 35     |
| SCHP 302005 | 200L     | 11            | 450 | 1400 | 750  | 175 | 390 | -   | 350 | 100 | 100 | 100 | 1/2" | 1/4" | 1/2" | 1/2" | 1/4" | 210            | 485 | 53     |
| SCHP 302006 | 270L     | 11            | 500 | 1458 | 800  | 175 | 440 | -   | 370 | 100 | 120 | 100 | 1/2" | 1/4" | 1/2" | 1/2" | 1/4" | 210            | 485 | 68     |
| SCHP 302007 | 300L     | 11            | 500 | 1560 | 900  | 175 | 440 | -   | 370 | 100 | 120 | 100 | 1/2" | 1/4" | 1/2" | 1/2" | 1/4" | 210            | 485 | 72     |
| SCHP 302008 | 500L     | 11            | 600 | 1850 | 1200 | 150 | 620 | 560 | 400 | 100 | 150 | 100 | 1/2" | 1/4" | 1"   | 1/2" | 3/8" | 280            | 720 | 125    |
| SCHP 302011 | 1000L    | 11            | 800 | 2100 | 1350 | 150 | 820 | 750 | 500 | 100 | 200 | 150 | 1"   | 1/2" | 2"   | 1/2" | 1/2" | 280            | 800 | 235    |

STARTING FROM 50L TO 1000L

 Operating pressure  
11 bar

 Tested pressure  
16 bar

**5 YEARS WARRANTY**



seropcomp.com



# SEROPCOMP

## Oil Free AIR VESSELS

 Electrostatic Painting

### Material

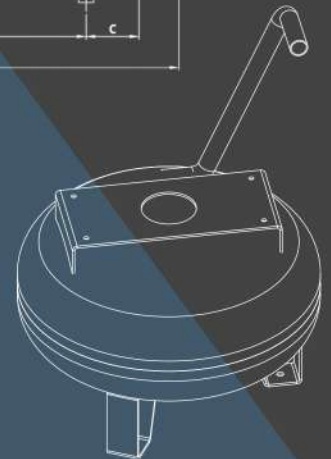
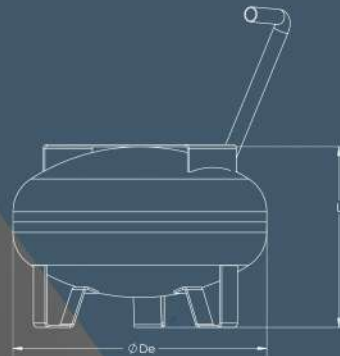
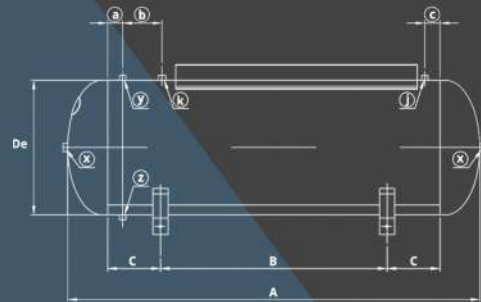
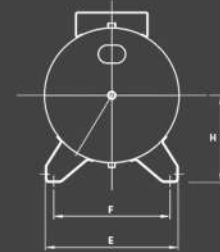
Carbon Steel

### Fluid content

Compressed Air



The Value OF Quality



| Code       | Capacity | Work Pressure | De  | A/L  | B   | C   | E   | F | H   | a   | b   | c   | x   | y   | k   | j   | z   | Dimension Base |     |
|------------|----------|---------------|-----|------|-----|-----|-----|---|-----|-----|-----|-----|-----|-----|-----|-----|-----|----------------|-----|
|            | Liter    | bar           |     |      |     |     |     |   |     |     |     |     |     |     |     |     |     | mm             | mm  |
| MSHP302003 | 24       | 11            | 370 | 270  | -   | -   | -   | - | -   | -   | -   | -   | 1/2 | 1/2 | 1/2 | 1/4 | -   | 145            | 266 |
| MSHP302004 | 50       | 11            | 300 | 800  | 400 | 100 | 250 | - | 220 | 50  | 70  | -   | 1/2 | 1/4 | 3/8 | 3/8 | 1/4 | 145            | 266 |
| MSHP302005 | 100      | 11            | 370 | 1050 | 550 | 125 | 320 | - | 310 | 50  | 80  | 50  | 1/2 | 1/4 | 3/8 | 3/8 | 1/4 | 145            | 266 |
| MSHP302006 | 200      | 11            | 450 | 1400 | 750 | 175 | 390 | - | 350 | 100 | 100 | 100 | 1/2 | 1/4 | 1/2 | 1/2 | 1/4 | 160            | 306 |
| MSHP302007 | 300      | 11            | 500 | 1560 | 900 | 175 | 440 | - | 370 | 100 | 120 | 100 | 1/2 | 1/4 | 1/2 | 1/2 | 1/4 | 160            | 306 |

STARTING FROM 24L TO 300L

 Operating pressure  
11 bar

 Tested pressure  
12 bar

**5 YEARS WARRANTY**





**The Value OF Quality**